

Status Update Report: October 2015

Cruise Terminal 5 Renovation:

Description: This project is the complete renovation of Cruise Terminal 5 to allow the terminal to accommodate more passengers for larger cruise ships to berth at CT5.

Designer: BEA/TLC/Allen

Contractor/CM: Haskell/Kinley

Project Costs: Budget \$ 17,400,000 Current Contract Amount \$ 17,400,000

Award Date: August 26, 2015

Completion Date: May 2016

Accidents: 0 accidents this month - 0 since project had started

Status: Project was awarded to Haskell/Kinley team at the August Commission Meeting. Demolition work has begun. BEA has completed permit set of drawings and is working on construction set.

Photos:



Cruise Terminal 5 Parking Garage:

Description: This project is a new design build 700 car parking garage to support the Cruise Terminal 5 Renovation project.

Design/Builder: Iveys/BEA/TLC/Allen

Project Costs: Budget \$ 12,600,000 Current Contract Amount \$ 12,600,000

Award Date: August 26, 2015

Completion Date: May 2016

Accidents: 0 accidents this month - 0 since project had started

Status: Project was awarded to Ivey's team at the August Commission Meeting. Tests piles were driven and tested. Production piles are being installed at this time.

Photos:



Cruise Terminal 5 Pier Extension:

Description: This project is the extension of the CT5 pier to accommodate larger ships and to provide the necessary repairs to the existing pier, including new fenders and bollards.

Designer: CH2M

Contractor: TBD

Project Costs: Budget \$ 4,000,000 Current Contract Amount \$ TBD

Award Date: September 23, 2015

Completion Date: May 2016

Accidents: No accidents - project has not yet begun

Status: Project Awarded to Vortex. They are in the process of preparing submittals. Test piles to be installed in November.

Photos:



Cruise Terminal 5 Mobile Passenger Gangway:

Description: This project is the design and fabrication of 2 new mobile passenger gangways to accommodate a multitude of cruise ships berthing at CT5.

Designer: CH2M

Contractor: Adelte

Project Costs: Budget \$ 4,000,000 Current Contract Amount \$ 4,000,000

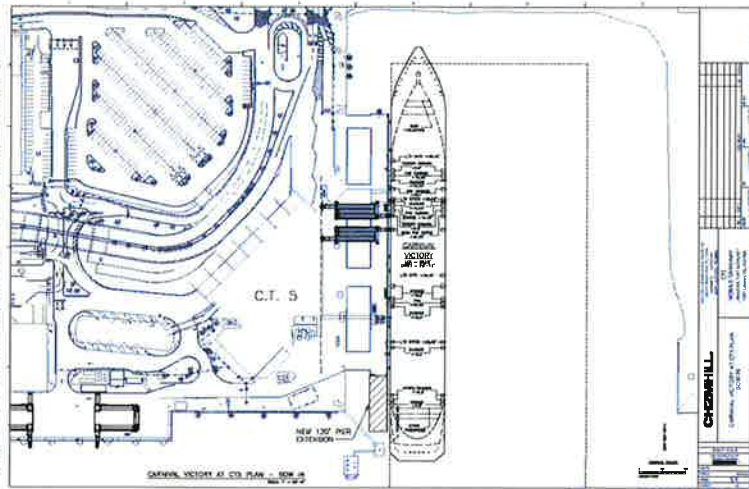
Award Date: August 26, 2015

Completion Date: May 2016

Accidents: No accidents - project has not yet begun

Status: Adelte is working on their design drawings.

Photos:



Cove Master Developer:

Description: This project is the selection of a Master Developer for the Cove Development area that would include 250,000SF of retail, restaurants and a upscale boutique hotel.

Designer: C&S Companies (Consultant)

Contractor: Sooner Development (Developer)

Project Costs: TBD

Award Date: TBD

Completion Date: TBD

Accidents: No accidents - project has not yet begun

Status: Developer is securing LOI's with potential tenants. Utility design for underground systems is underway. Public workshop is scheduled.

Photos:



Channel Widening and Deepening: (Army Corps of Engineers Sponsored Project):

Description: This project is the widening and deepening of the harbor for the expansion to allow larger ships in and out of the Port safely without affecting ships moored in the harbor.

Designer: CH2MHill

Contractor: GLF (Package 1 - Uplands) Dutra (Package 2 - Dredging)

Project Costs: Budget \$ 38,552,320.00 Current Contract Amount: Upland--\$8,938.320
Dredging--\$28,614,000

Award Date: March 3, 2014

Completion Date: **October** 2015 (Pkg 1) January 2016 (Pkg 2)

Accidents: No accidents

Status: Uplands work (Package 1): Dredging to -13 is complete. Contractor working on last 100 feet of rip-rap on the west end.
Dredging work (Package 2) continues with work at the outer reach. Over 65% of the material has been dredged to date.

Photos:



Northside Stormwater Development and Marine Terminal: Completed

Description: This project is the design of the north side cargo area including a master stormwater system (GRANT funded).
Designer: CH2MHill
Contractor: GLF
Project Costs: Budget \$ 9,000,000.00 Current Contract Amount \$ 7,140,000
Award Date: June 18, 2014
Completion Date: April 2015
Accidents: 0 accidents this month, 2 accidents to date
Status: Northside Stormwater is complete. Marine Terminal project is complete. Staff is working on project closeout for both projects.

Photos:



Auto Terminal No. 1

Description: This project is for an auto terminal to import and export new vehicles and process them before they are sent to the dealerships.
Designer: Ivey's/Finfrock/CEG/RZK
Contractor: Ivey's Construction
Project Costs: Budget \$85,000,000.00 Current Contract Amount \$6,800,000.00
Award Date: 9 October 2014
Completion Date: TBD
Accidents: 0 accidents this month, 1 accidents to date
Status: Surface lot paving complete. Light poles and fixtures are installed, contractor coordinating with FP&L for meter installation. Storm water piping is complete in front of CT1 and area is now connected to the pond. Paving on the lot east of Marlin Street is complete.



Dave Nisbet Drive Extension

Description: This project is to provide an alternate route for truck traffic currently on George King Blvd which will be crowded with cruise traffic once CT1 opens. By extending Dave Nisbet Drive south of George King and connecting it with Challenger Road and Atlantis Road, trucks will have an alternate route to the Martin Marietta facility.

Designer: ATKINS

Contractor: TBD

Project Costs: Budget \$1,400,000.00 Current Contract Amount \$ TBD

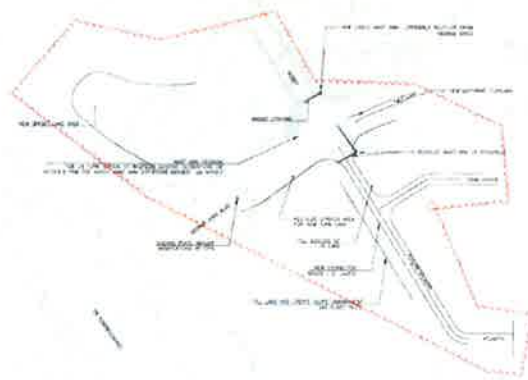
Award Date: 28 August 2014(design only)

Completion Date: TBD

Accidents: No accidents - project has not started

Status: As the Port explores options to find a traffic route into Cape Canaveral from the Port, the scope of work for this project is evolving to include extending the road connection south of the Fire Station and connecting into Discovery Road.

Photos:



SR 401 Emergency Erosion Control Repair:

Description: This project is the emergency repair of the eroded embankment of SR 401.

Designer: Atkins

Contractor: W&J Construction

Project Costs: Budget \$ 1.47M Current Contract Amount \$ 558,456

Award Date: June 18, 2014

Completion Date: December 2015

Accidents: No accidents - project has not started

Status: W&J mobilizing for the next phase of work near the retention pond. Contractor has started the slope around the pond and installing filter fabric along with bedding stone and rip-rap.

Photos:



Vehicle Staging Area:

Description: This project is the multiple paved lots for vehicle import/export throughout the Port.
Designer: CEG
Contractor: TBD
Project Costs: Budget \$ 13.6M Current Contract Amount \$ 146,000 (Design)
Award Date: September 2015
Completion Date: Summer 2016
Accidents: No accidents - project has not started
Status: Project is currently in design and being permitted. Staff is seeking permission for an RFP.
Photos:



Continuing Services Rail Design:

Description: Multiple continuing services consultants will be selected for future rail design projects.
Designer: TBD
Contractor: TBD
Project Costs: Budget \$ TBD Current Contract Amount \$ TBD
Award Date: October 2015
Completion Date: TBD
Accidents: No accidents - project has not started
Status: RFP has been issued and selection committee recommendations to be brought to the Commission in October.
Photos: NA

NASA Barge Rail Design at J-J Bridge:

Description: This project is for conceptual design services related to various rail routes from Port Canaveral to the mainline track near US-1, including design of the barge rail facility through the barge canal to a rail head at the west causeway of the NASA J-J bridge in Titusville.

Designer: TranSystems

Contractor: TBD

Project Costs: Budget \$ 305,066 Current Contract Amount \$ 305,066

Award Date: November 2013

Completion Date: TBD

Accidents: No accidents - project has not started

Status: Project currently under design including environmental assessments and discussions with NASA for use of the property.

Photos:

SR 524 Site:

Description: This is a 270 Acre inland logistics center project

Designer: Atkins

Contractor: TBD

Project Costs: Budget \$24M Current Contract Amount \$ 459,509.00

Award Date: TBD

Completion Date: TBD

Accidents: No accidents - project has not started

Status: Project is currently under design and permitting through Cocoa, SJRWMD and ACOE.

Photos:



North Cargo Berth 3 and 4:

Description: This project is to construct replacement berths at NCB3 & 4

Designer: CH2M

Contractor: TBD

Project Costs: Budget \$95M Current Contract Amount \$ 585,256

Award Date: TBD

Completion Date: TBD

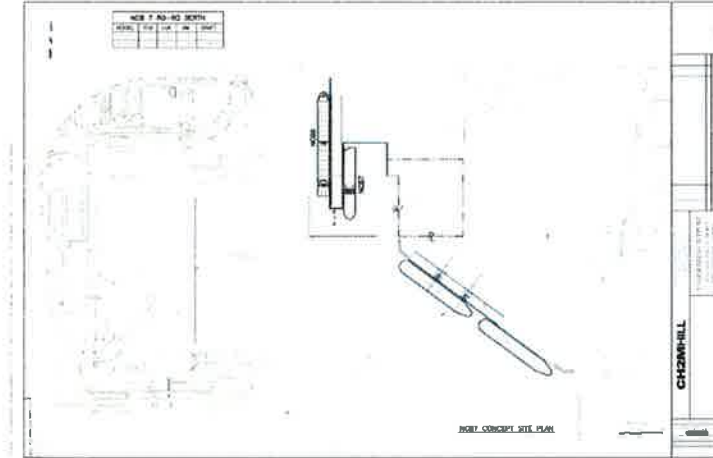
Accidents: No accidents - project has not started

Status: Kick off meeting held, project under design and permitting.

Photos: NA

North Cargo Berth 8:

Description: This project is to construct a new bulkhead at North Cargo 8 area
Designer: CH2M
Contractor: TBD
Project Costs: Budget \$ 18.57M Current Contract Amount \$ 185,842.00 (Design)
Award Date: TBD
Completion Date: TBD
Accidents: No accidents - project has not started
Status: Project is currently under design and permitting.
Photos:



Arnott Building:

Description: This project is interior demolition of office space and the inclusion of fire sprinklers.
Design/Builder: Canaveral Construction
Project Costs: Budget \$ 125,400 Current Contract Amount \$ 125,400
Award Date: August 26, 2015
Completion Date: November 2015
Accidents: 0 accidents this month, 0 accidents to date
Status: Demolition is nearing completion. Fire sprinklers to start once demolition is complete.
Photos:

