

Status Update Report: December 2015

Cruise Terminal 5 Renovation:

Description: This project is the complete renovation of Cruise Terminal 5 to allow the terminal to accommodate more passengers for larger cruise ships to berth at CT5.

Designer: BEA/TLC/Allen

Contractor/CM: Haskell/Kinley

Project Costs: Budget \$ 17,400,000 Current Contract Amount \$ 17,400,000

Award Date: August 26, 2015

Completion Date: May 2016

Accidents: 0 accidents this month - 0 since project had started

Status: Demolition is complete. Auger cast piles are 1/3 complete. Fireproofing being sprayed on first floor. Progress for CBP approval continues.

Photos:



Cruise Terminal 5 Parking Garage:

Description: This project is a new design build 700 car parking garage to support the Cruise Terminal 5 Renovation project.

Design/Builder: Iveys/BEA/TLC/Allen

Project Costs: Budget \$ 14,800,000 Current Contract Amount \$ 14,800,000

Award Date: August 26, 2015

Completion Date: May 2016

Accidents: 0 accidents this month - 0 since project had started

Status: Piles are complete. Pile caps are near completion. Precast panel erection has begun.

Photos:



Cruise Terminal 5 Pier Extension:

Description: This project is the extension of the CT5 pier to accommodate larger ships and to provide the necessary repairs to the existing pier, including new fenders and bollards.

Designer: CH2M

Contractor: TBD

Project Costs: Budget \$ 4,000,000 Current Contract Amount \$ 3,896,500

Award Date: September 23, 2015

Completion Date: May 2016

Accidents: 0 accidents this month - 0 since project had started

Status: Removal of the existing bollards and fenders has begun. Test pile installed and passed, contractor has ordered production piles.



Cruise Terminal 5 Mobile Passenger Gangway:

Description: This project is the design and fabrication of 2 new mobile passenger gangways to accommodate a multitude of cruise ships berthing at CT5.

Designer: CH2M

Contractor: Adelte

Project Costs: Budget \$ 4,000,000 Current Contract Amount \$ 4,000,000

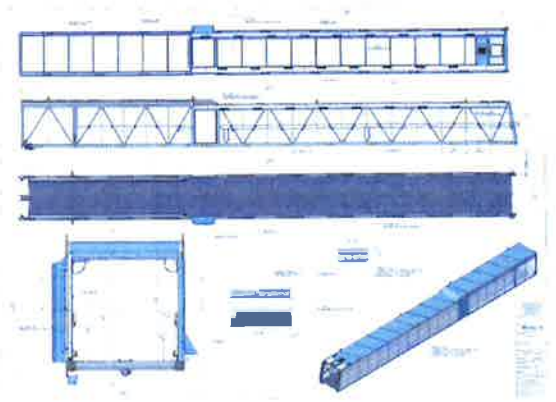
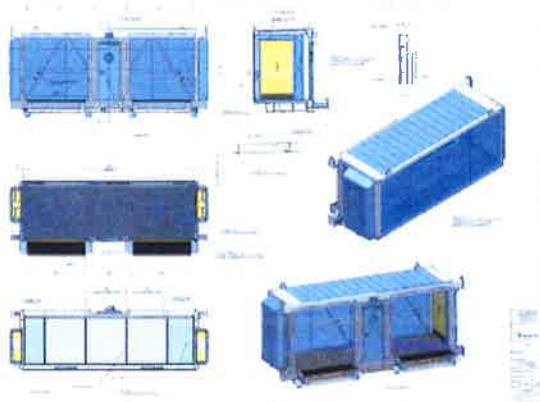
Award Date: August 26, 2015

Completion Date: May 2016

Accidents: No accidents - project has not yet begun

Status: Shop drawings are currently under review. First factory visit to be by mid January. Finishes have been selected.

Photos:



Cove Master Developer:

Description: This project is the selection of a Master Developer for the Cove Development area that would include 250,000SF of retail, restaurants and a upscale boutique hotel.

Designer: C&S Companies (Consultant)

Contractor: Sooner Development (Developer)

Project Costs: TBD

Award Date: TBD

Completion Date: TBD

Accidents: No accidents - project has not yet begun

Status: Developer is securing LOI's with potential tenants. Utility design for underground systems is underway.

Photos:



Channel Widening and Deepening: (Army Corps of Engineers Sponsored Project):

Description: This project is the widening and deepening of the harbor for the expansion to allow larger ships in and out of the Port safely without affecting ships moored in the harbor.

Designer: CH2MHill

Contractor: GLF (Package 1 - Uplands) Dutra (Package 2 - Dredging)

Project Costs: Budget \$ 38,552,320.00 Current Contract Amount: Upland--\$8,938.320
Dredging--\$28,614,000

Award Date: March 3, 2014

Completion Date: November 2015 (Pkg 1) February 2016 (Pkg 2)

Accidents: 0 accidents this month, 2 accidents to date

Status: Uplands work (Package 1): Contractor is substantially complete and has submitted their as-built drawings for final approval.
Dredging work (Package 2) continues with work at the outer reach. Over 2,700,000 CY of material has been dredged so far.

Photos:



Auto Terminal No. 1

Description: This project is for an auto terminal to import and export new vehicles and process them before they are sent to the dealerships.

Designer: Ivey's/Finfrock/CEG/RZK

Contractor: Ivey's Construction

Project Costs: Budget \$85,000,000.00 Current Contract Amount \$6,800,000.00

Award Date: 9 October 2014

Completion Date: TBD

Accidents: 0 accidents this month, 1 accident to date

Status: Project is complete. Additional scope being considered and may increase to overall project.



SR 401 Emergency Erosion Control Repair:

Description: This project is the emergency repair of the eroded embankment of SR 401.

Designer: Atkins

Contractor: W&J Construction

Project Costs: Budget \$ 1.47M Current Contract Amount \$ 558,456

Award Date: June 18, 2014

Completion Date: December 2015

Accidents: 0 accidents this month, 0 accidents to date

Status: W&J continues final grade/sod and fencing.

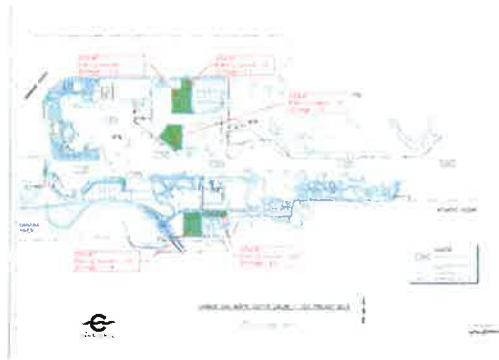
Photos:



Vehicle Staging Area:

Description: This project is the multiple paved lots for vehicle import/export throughout the Port.
Designer: CEG
Contractor: TBD
Project Costs: Budget \$ 13.6M Current Contract Amount \$ 146,000 (Design)
Award Date: September 2015
Completion Date: Summer 2016
Accidents: No accidents - project has not started
Status: RFP has been issued and proposals are expected before the Commission Meeting with a selection committee recommending award in December.

Photos:



NASA Barge Rail Design at J-J Bridge:

Description: This project is for conceptual design services related to various rail routes from Port Canaveral to the mainline track near US-1, including design of the barge rail facility through the barge canal to a rail head at the west causeway of the NASA J-J Bridge in Titusville.
Designer: TranSystems
Contractor: TBD
Project Costs: Budget \$ 305,066 Current Contract Amount \$ 305,066
Award Date: November 2013
Completion Date: TBD
Accidents: No accidents - project has not started
Status: Project currently under design including environmental assessments and discussions with NASA for use of the property.
Photos: None available.

SR 524 Site:

Description: This is a 270 Acre inland logistics center project
Designer: Atkins
Contractor: TBD
Project Costs: Budget \$24M Current Contract Amount \$ 459,509.00
Award Date: TBD
Completion Date: TBD
Accidents: No accidents - project has not started
Status: Project is currently under design and permitting through Cocoa, SJRWMD and ACOE.
Photos:

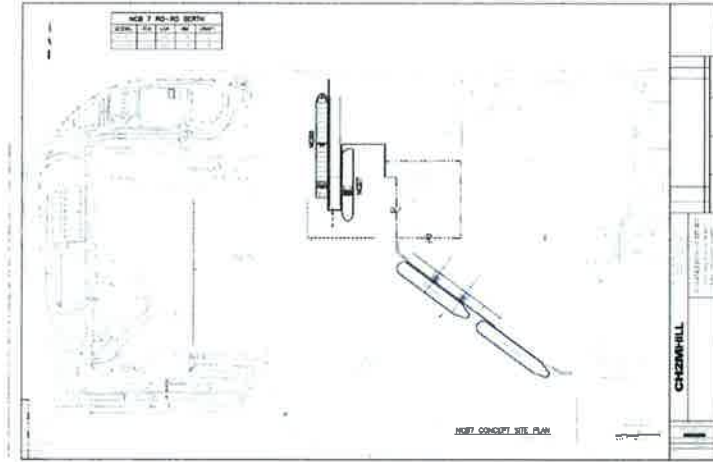


North Cargo Berth 3 and 4:

Description: This project is to construct replacement berths at NCB3 & 4
Designer: CH2M
Contractor: TBD
Project Costs: Budget \$95M Current Contract Amount \$ 585,256
Award Date: TBD
Completion Date: TBD
Accidents: No accidents - project has not started
Status: Kick off meeting held, project design and permitting continues.
Photos: NA

North Cargo Berth 8:

Description: This project is to construct a new bulkhead at North Cargo 8 area
Designer: CH2M
Contractor: TBD
Project Costs: Budget \$ 18.57M Current Contract Amount \$ 185,842.00 (Design)
Award Date: TBD
Completion Date: TBD
Accidents: No accidents - project has not started
Status: Project is currently under design and permitting.
Photos:



Arnott Building:

Description: This project is interior demolition of office space and the inclusion of fire sprinklers.
Design/Builder: Canaveral Construction
Project Costs: Budget \$ 125,400 Current Contract Amount \$ 125,400
Award Date: August 26, 2015
Completion Date: November 2015
Accidents: 0 accidents this month, 0 accidents to date
Status: Interior demolition is complete. Fire sprinklers design in for permitting. Project on hold after discovery of metal building components that are in need of repair. Weighing option over salvage or demo of the buildings.
Photos:

